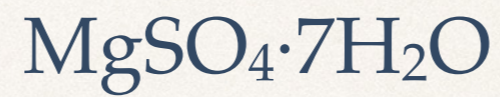


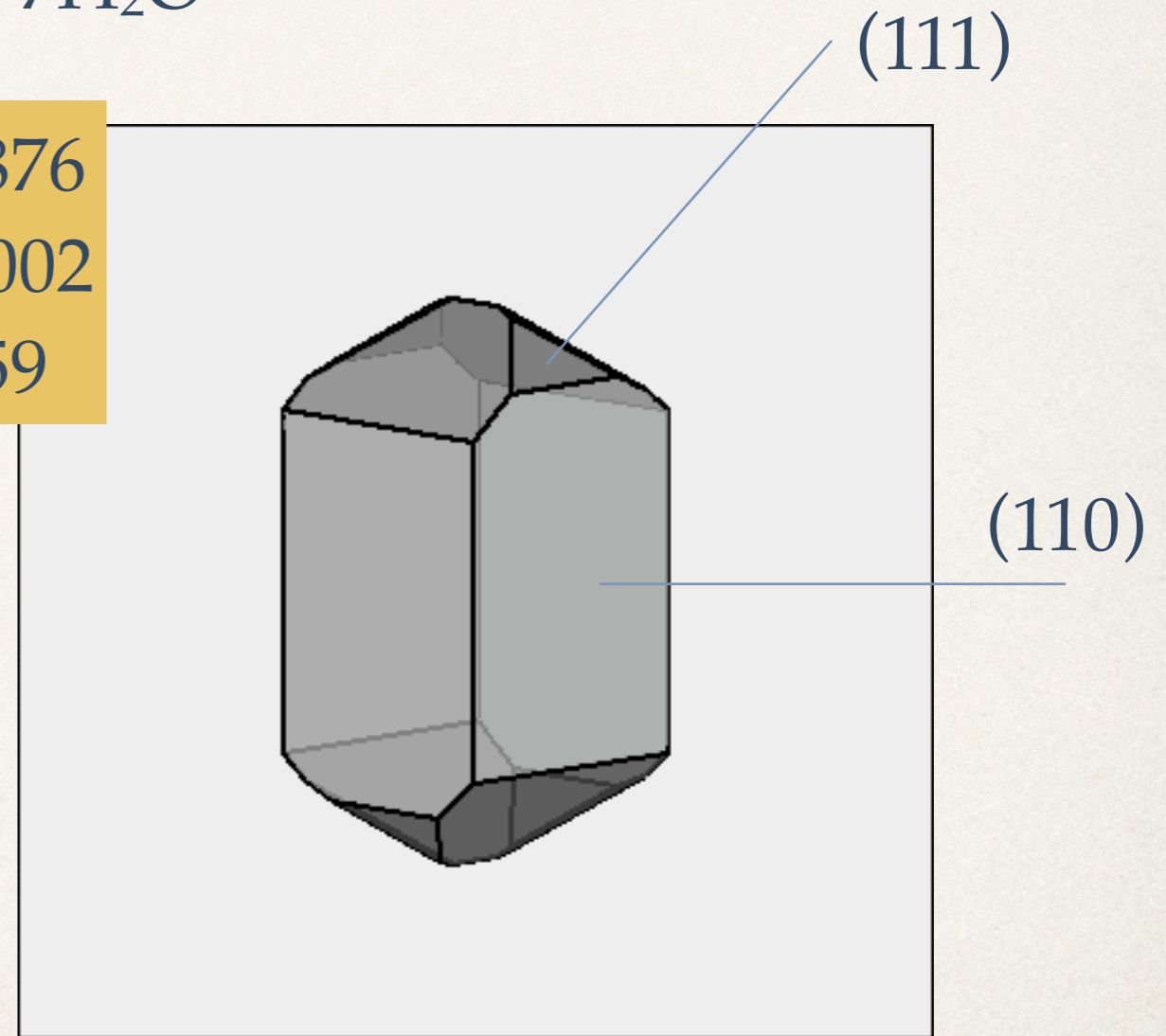
Epsomite



$$a = 11.876$$

$$b = 12.002$$

$$c = 6.859$$



222 Rhombic Disphenoid