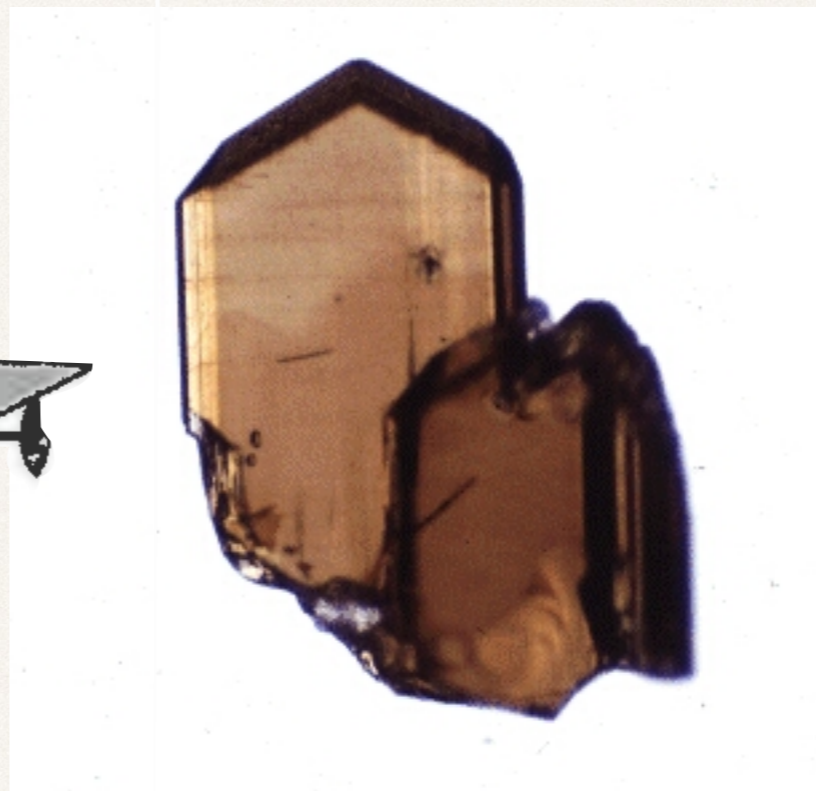
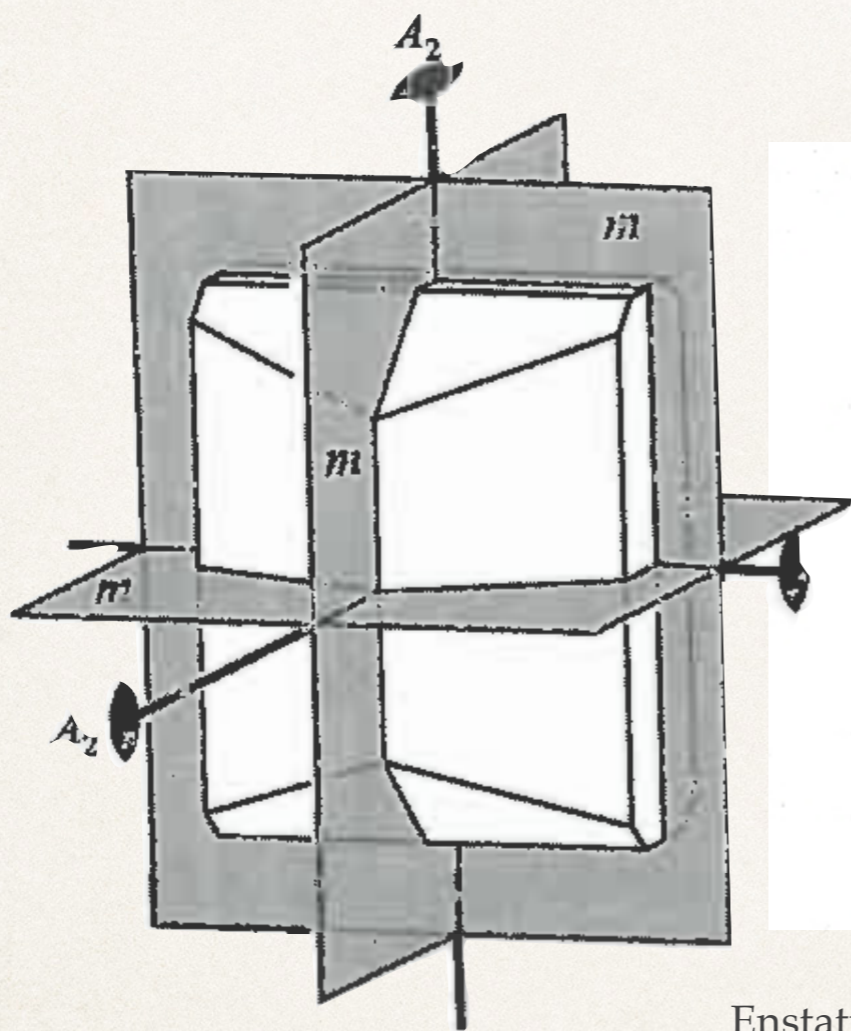


# Symmetry Combinations



Enstatite from Summit Rock, Oregon. Ge 214



Elongated transparent green Peridot crystal (Forsterite) with well defined crystal shape in spite of the rounded crystal edges due to alluvial wear. Note the dark needle-like inclusions of Ludwigite.